

ATX™ SWD Series 16 and 32 Amp Switches, Circuit Breakers and “Break Glass”

Call Points

Flameproof

ATEX/IECEX:
Zone 1 and 2 - 21 and 22
II 2 GD
IP66 - IK10

Applications

- Designed to prevent operation in explosive atmospheres during connect and disconnect operation of lighting and light power loads.
- For use in hazardous areas where ignitable vapors, gases or highly combustible dusts are present.
- For installation in chemical and petrochemical plants, refineries and other process industries.

Features

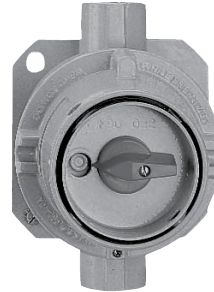
- Available up to 690 Volts, and up to 32 Amps.
- Two threaded entries (one top and one bottom) M20 or M25.
- Switch mechanism fixed at the bottom of the box.
- Padlockable handle.
- Termination:
 - 16 Amp 4 mm² (0.006 in²) terminals
 - 32 Amp 6 mm² (0.009 in²) terminals
- Internal earth:
 - 2 x 4 mm² (0.006 in²) terminals
- External earth:
 - M5 for 16 Amps
 - M6 for 32 Amps

Standard Materials

- Box: marine grade aluminum alloy
- Captive screws: A2 stainless steel

ATEX/IECEX Certifications and Compliances

- 16 Amp Version. Certification Type: BR1d (16A)
 - Gas: Zone 1 and 2
 - Conforming to ATEX 94/9/CE: II 2 G
 - Type of Protection: Ex d IIC
 - Temperature Class: T6 for Ta = +40 °C (+104 °F), T5 for Ta = +55 °C (+131 °F)
 - Dust: Zone 21 and 22
 - Conforming to ATEX 94/9/CE: II 2 D
 - Type of Protection: Ex tD A21
 - Surface Temperature: T95 °C (+203 °F)
 - Ambient Temperature: -40 °C to +55 °C (-40 °F to +131 °F)
 - CE Declaration of Conformity: 50230
 - ATEX Certificate: LCIE 02 ATEX 6056
- 32 Amp Version. Certification Type: CF1E (32A)
 - Gas: Zone 1 and 2
 - Conforming to ATEX 94/9/CE: II 2 G
 - Type of Protection: Ex d IIC
 - Temperature Class: T6 for Ta ≤ +40 °C (+104 °F), T5 for +40 °C (+104 °F) < Ta ≤ +55 °C (+131 °F)
 - Dust: Zone 21 and 22
 - Conforming to ATEX 94/9/CE: II 2 D
 - Type of Protection: Ex tD A21
 - Surface Temperature: T95 °C (+203 °F)
 - Ambient Temperature: -40 °C to +55 °C (-40 °F to +131 °F)
 - CE Declaration of Conformity: 50257
 - ATEX Certificate: LCIE 03 ATEX 6044X
- Index of Protection according EN/IEC 60529: IP66
- Impact Resistance (shock): IK10



16 Amp Version



32 Amp Version

EURASEC Certification

- 16 Amp Version. Certification Type: BR1d (16A)
 - EURASEC RU C-FR. Г505.В.00911
- 32 Amp Version. Certification Type: CF1E (32A)
 - EURASEC RU C-FR. Г505.В.00911

CONTROLS: ATEX/IECEX INCREASED SAFETY CALL POINTS STATIONS AND AUDIO SIGNALING DEVICES



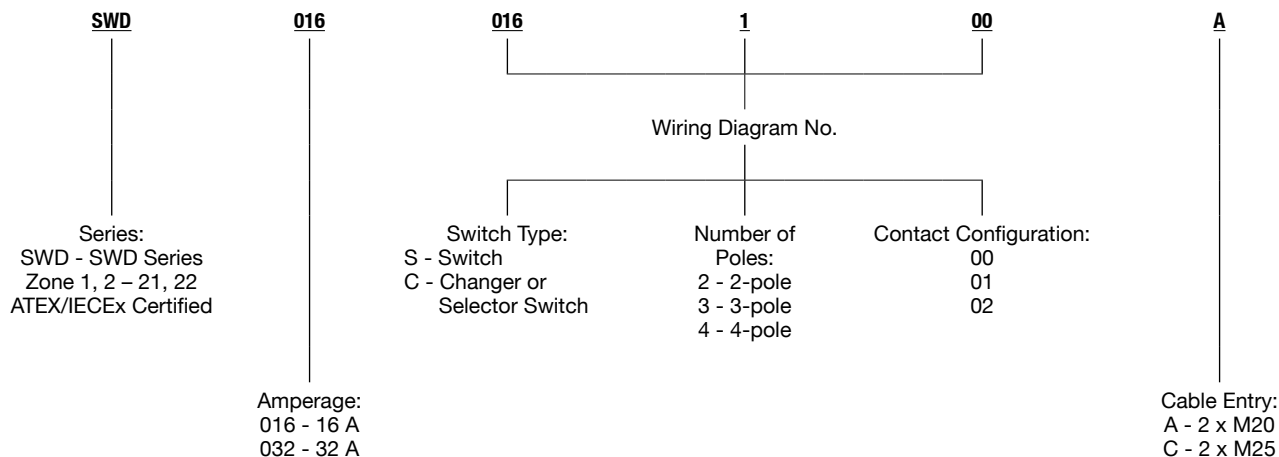
ATX™ SWD Series 16 and 32 Amp Switches, Circuit Breakers and “Break Glass”

Call Points

Flameproof

ATEX/IECEX:
 Zone 1 and 2 - 21 and 22
 II 2 GD
 IP66 - IK10

Catalog Numbering Guide



Switch Type	Wiring Diagram No.	Entries	Weight kg (lb)	Volume dm ³ (in ³)	Catalog Number
16 Amp Switch					
1-pole changeover	C100	2 x M20	1.1 (2.43)	3.8 (231.89)	SWD016C100A
		2 x M25			SWD016C100C
2-pole switch	S200	2 x M20	1.1 (2.43)	3.8 (231.89)	SWD016S200A
		2 x M25			SWD016S200C
3-pole switch	S300	2 x M20	1.1 (2.43)	3.8 (231.89)	SWD016S300A
		2 x M25			SWD016S300C
4-pole switch	S400	2 x M20	1.1 (2.43)	3.8 (231.89)	SWD016S400A
		2 x M25			SWD016S400C
32 Amp Switch					
2-pole switch	S200	2 x M20	2.7 (5.95)	8.0 (488.19)	SWD032S200A
		2 x M25			SWD032S200C
3-pole switch	S300	2 x M20	2.7 (5.95)	8.0 (488.19)	SWD032S300A
		2 x M25			SWD032S300C
4-pole switch	S400	2 x M20	2.7 (5.95)	8.0 (488.19)	SWD032S400A
		2 x M25			SWD032S400C

Switching Arrangement — X Denotes “Closed Contact”

C100

Positions	Contacts	
	1-2	3-4
0	X	
1		X

C200

Positions	Contacts	
	1-2	3-4
0		
1	X	X

S300

Positions	Contacts		
	1-2	3-4	5-6
0			
1	X	X	X

S400

Positions	Contacts			
	1-2	3-4	5-6	7-8
0				
1	X	X	X	X

CONTROLS: ATEX/IECEX INCREASED SAFETY CALL POINTS STATIONS AND AUDIO SIGNALING DEVICES



ATX™ SWD Series 16 and 32 Amp Switches, Circuit Breakers and “Break Glass”

Call Points

Flameproof

ATEX/IECEX:
 Zone 1 and 2 - 21 and 22
 II 2 GD
 IP66 - IK10

CONTROLS: ATEX/IECEX INCREASED SAFETY CALL POINTS STATIONS AND AUDIO SIGNALING DEVICES

Main Contacts		16 Amps	32 Amps
Rated insulation voltage (Ui)		690 V	690 V
Thermal rating		20 A	40 A
AC 21 A		16 A	32 A
AC 15		6 A	12 A
AC 23 A	3 x 230 V	4 KW	11 KW
	3 x 400 V	7.5 KW	11 KW
	3 x 500 V	5.5 KW	11 KW
	3 x 690 V	4 KW	11 KW
AC 3 A	3 x 230 V	3 KW	5.5 KW
	3 x 400 V	4 KW	11 KW
	3 x 500 V	5.5 KW	11 KW
	3 x 690 V	3 KW	11 KW
Flexible Termination		2.5 mm ² (0.004 in ²)	6 mm ² (0.009 in ²)
Solid Termination		4 mm ² (0.006 in ²)	6 mm ² (0.009 in ²)

Dimensions in Millimeters (Inches)

